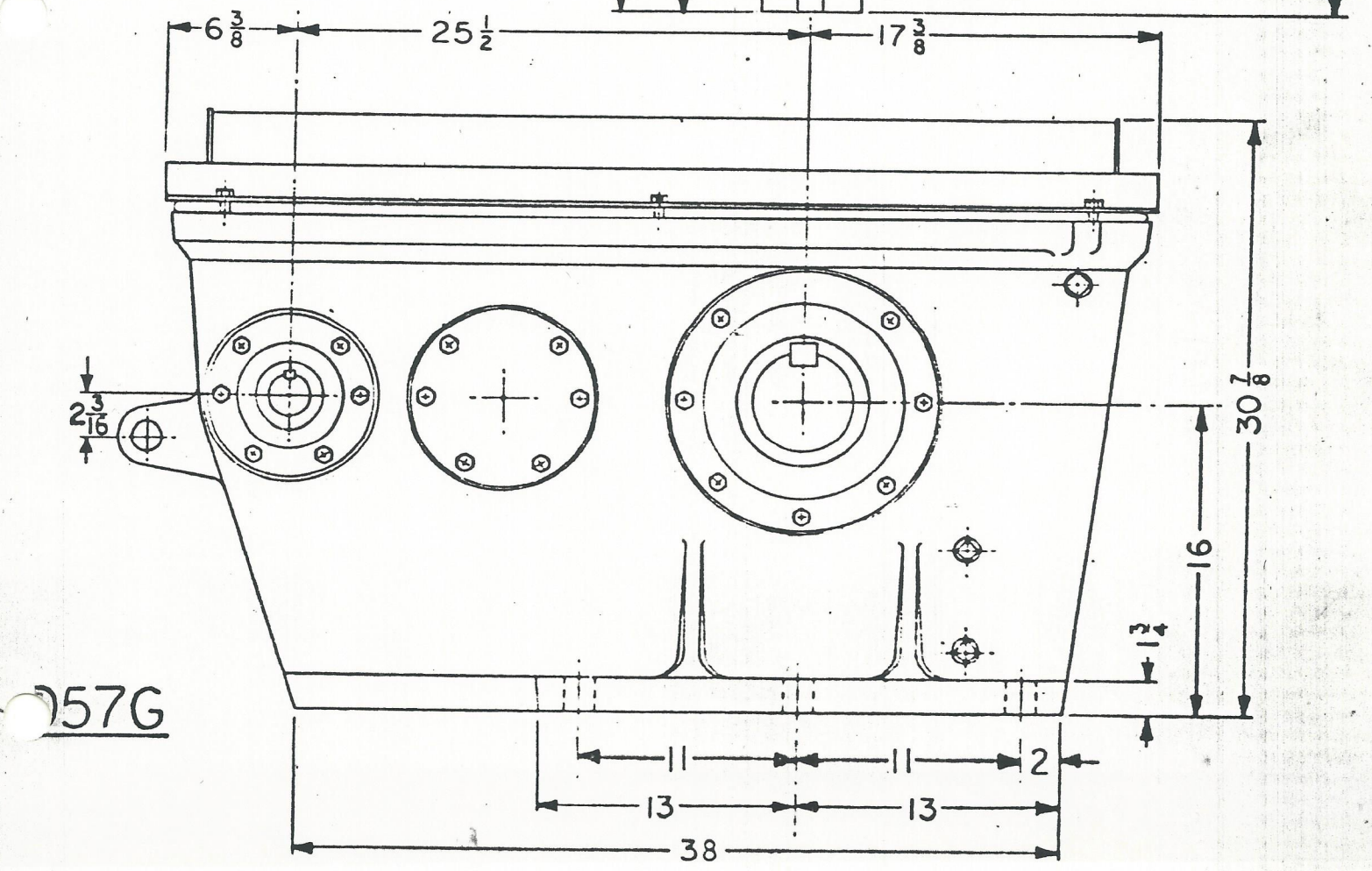
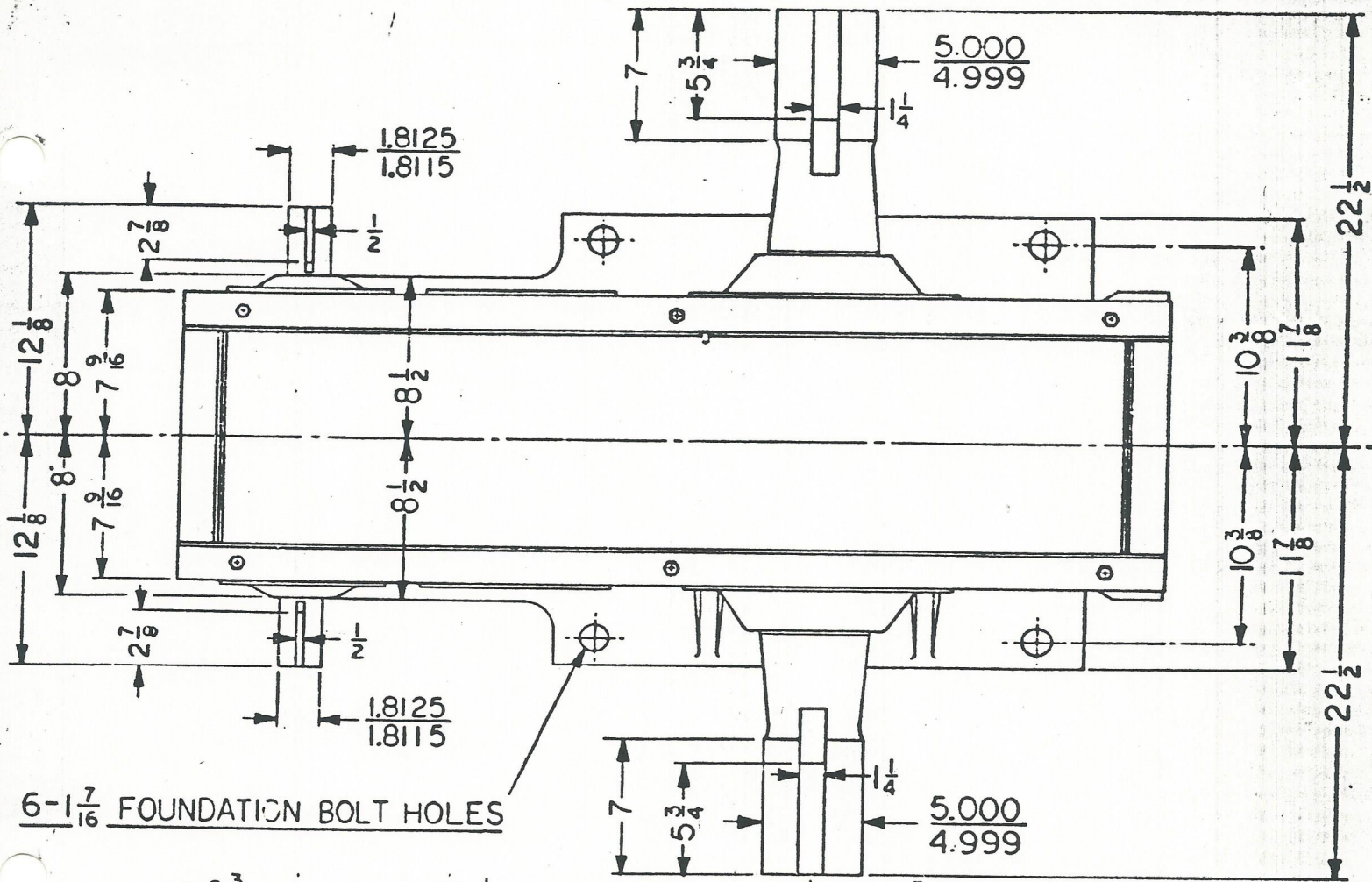
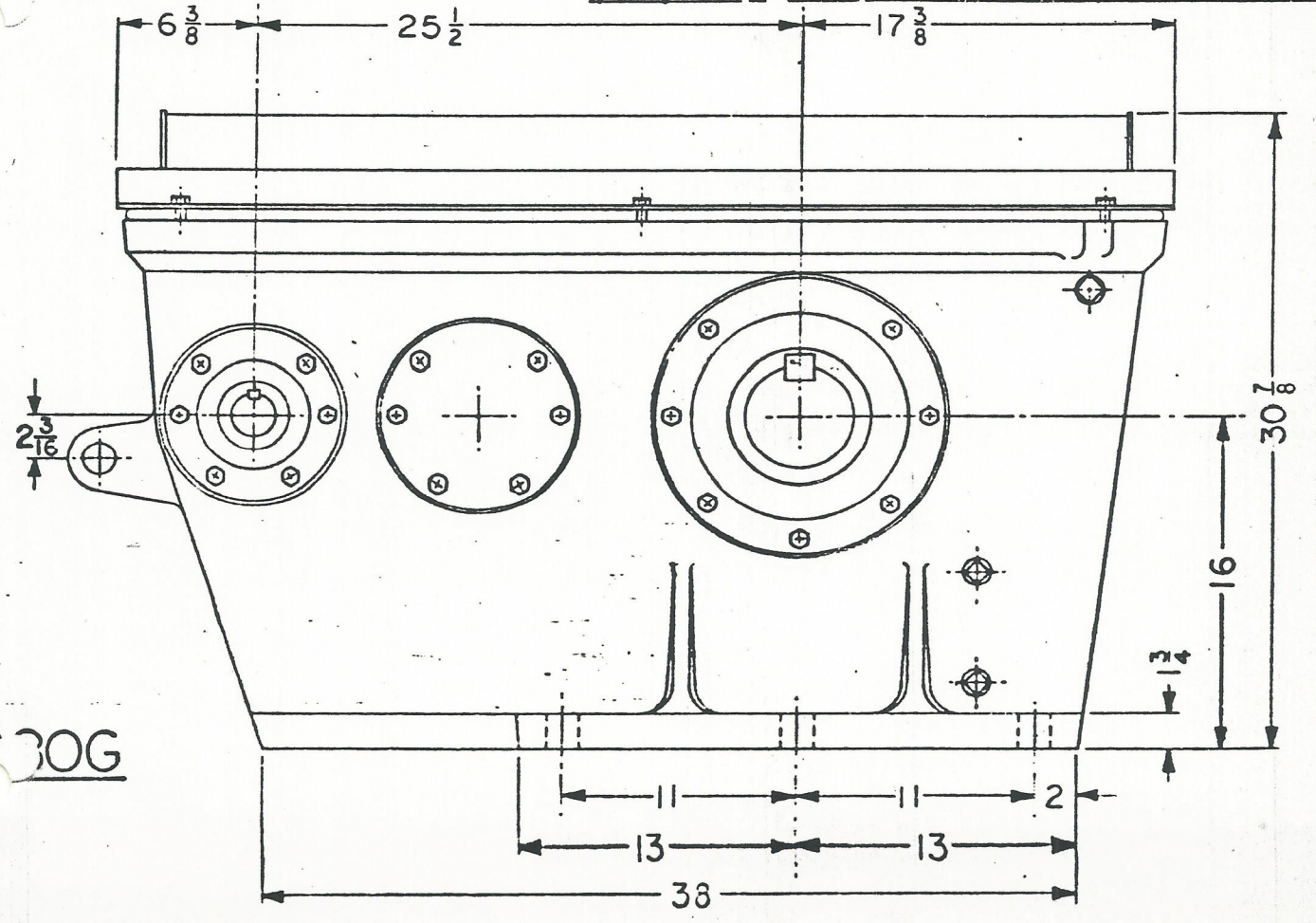
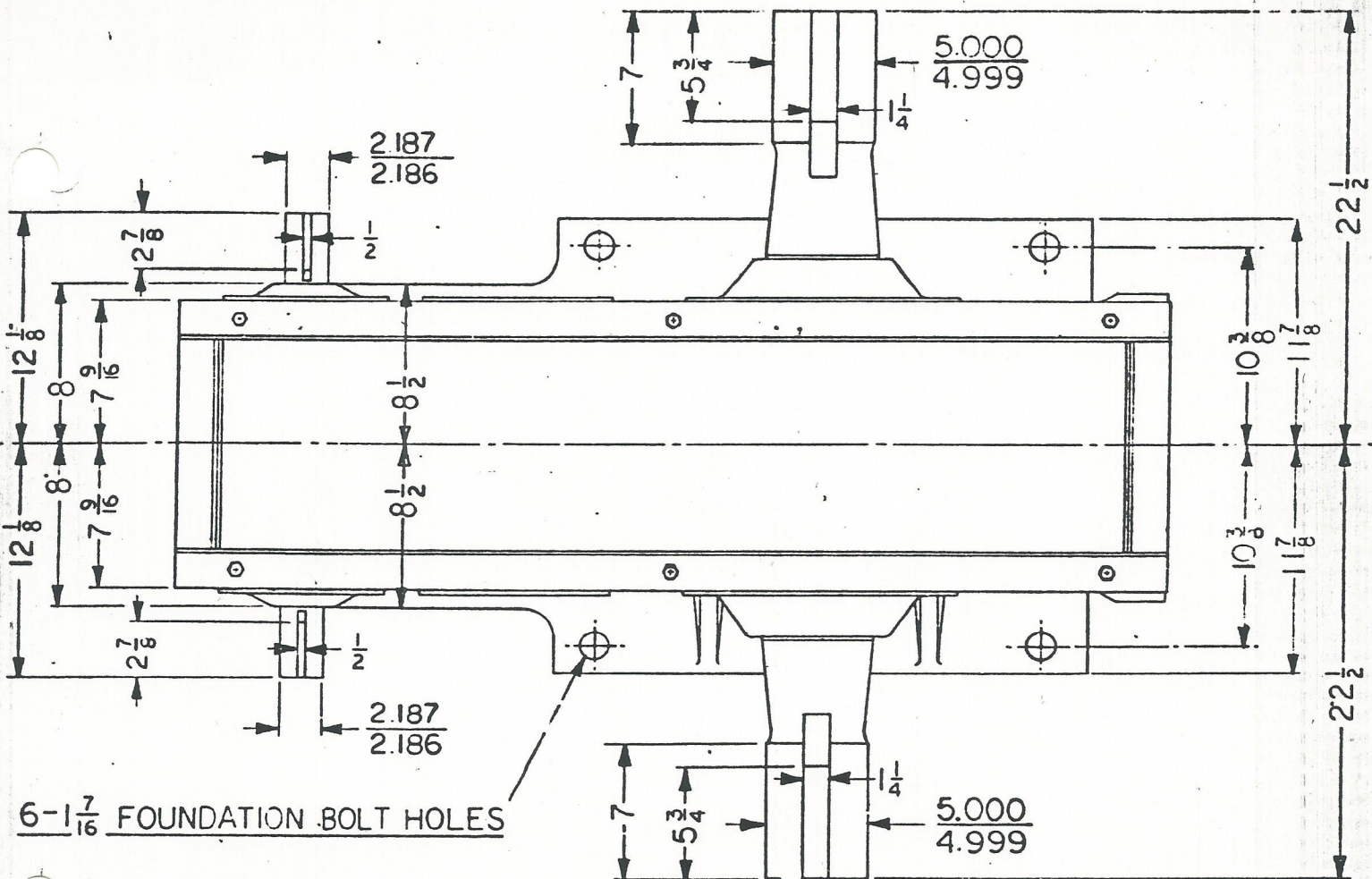


D40GA

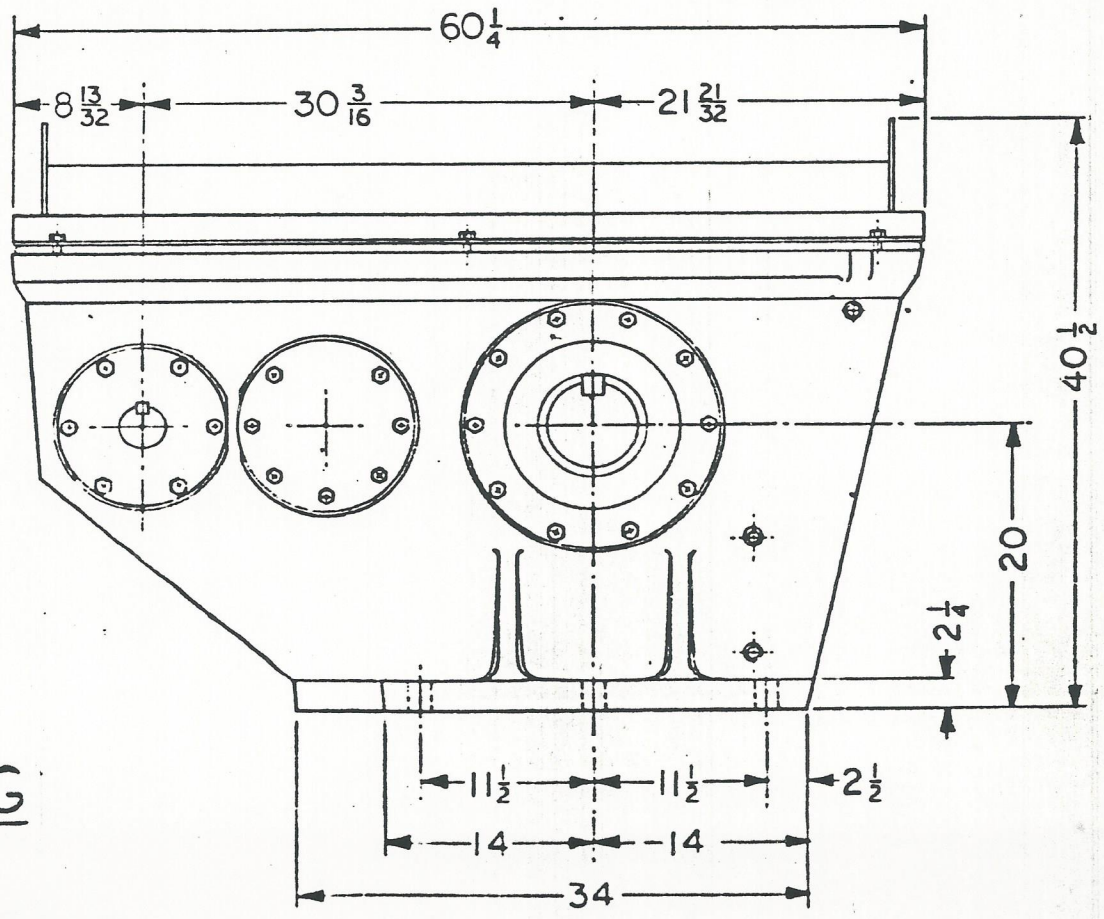
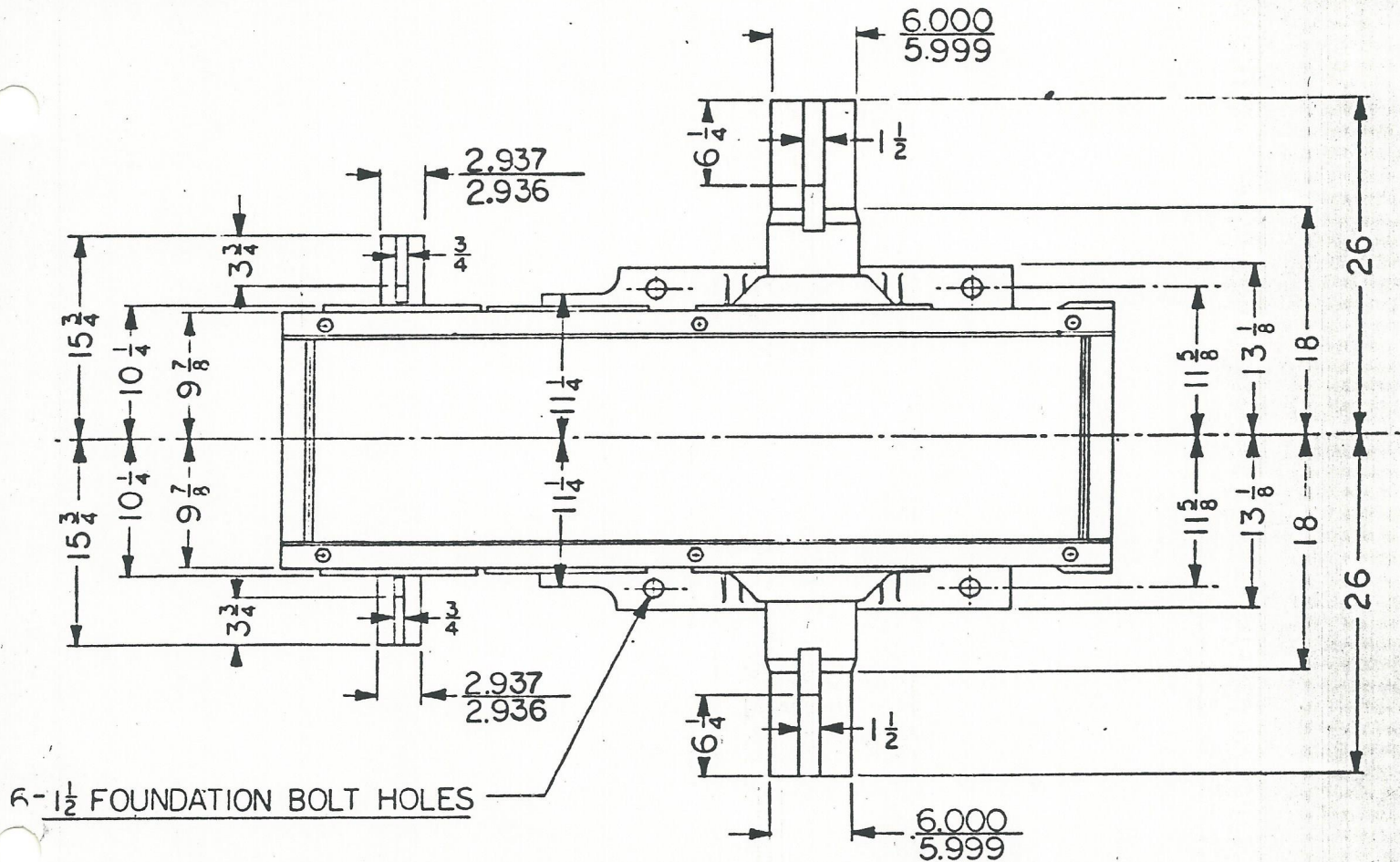


$6-1\frac{7}{16}$ FOUNDATION BOLT HOLES

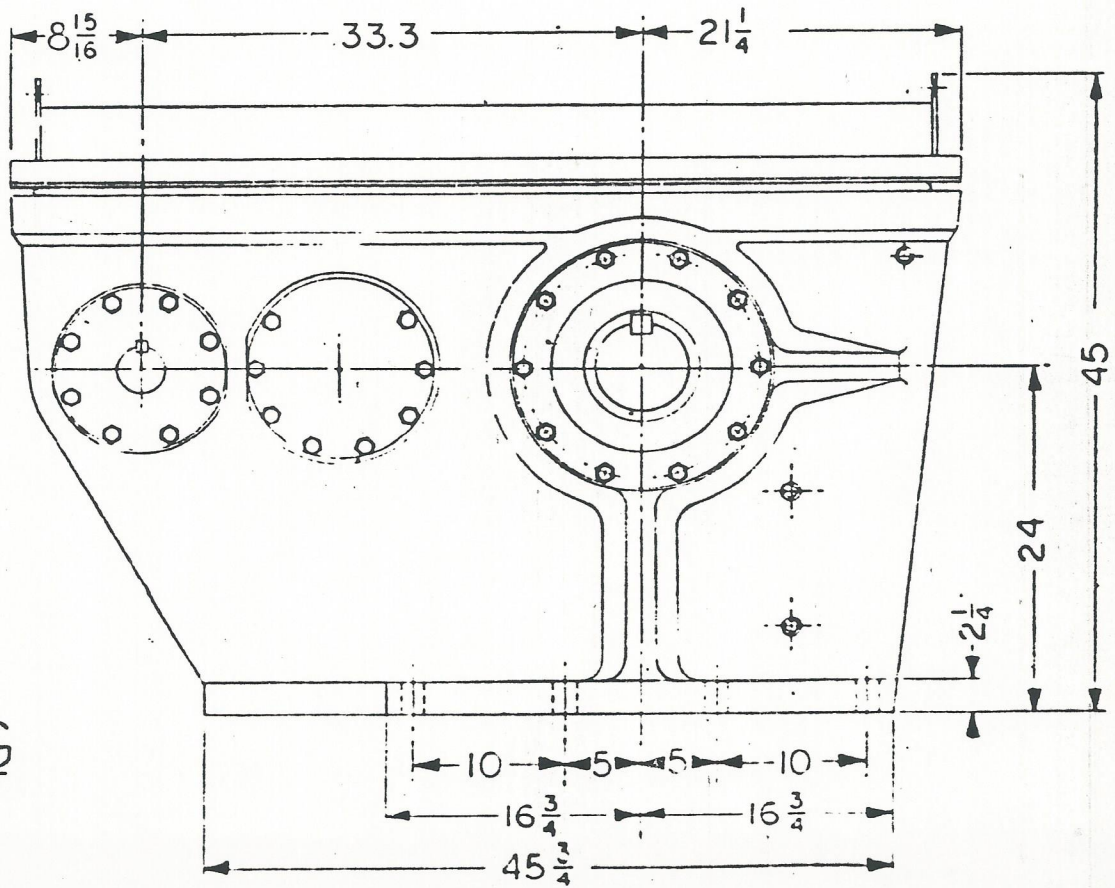
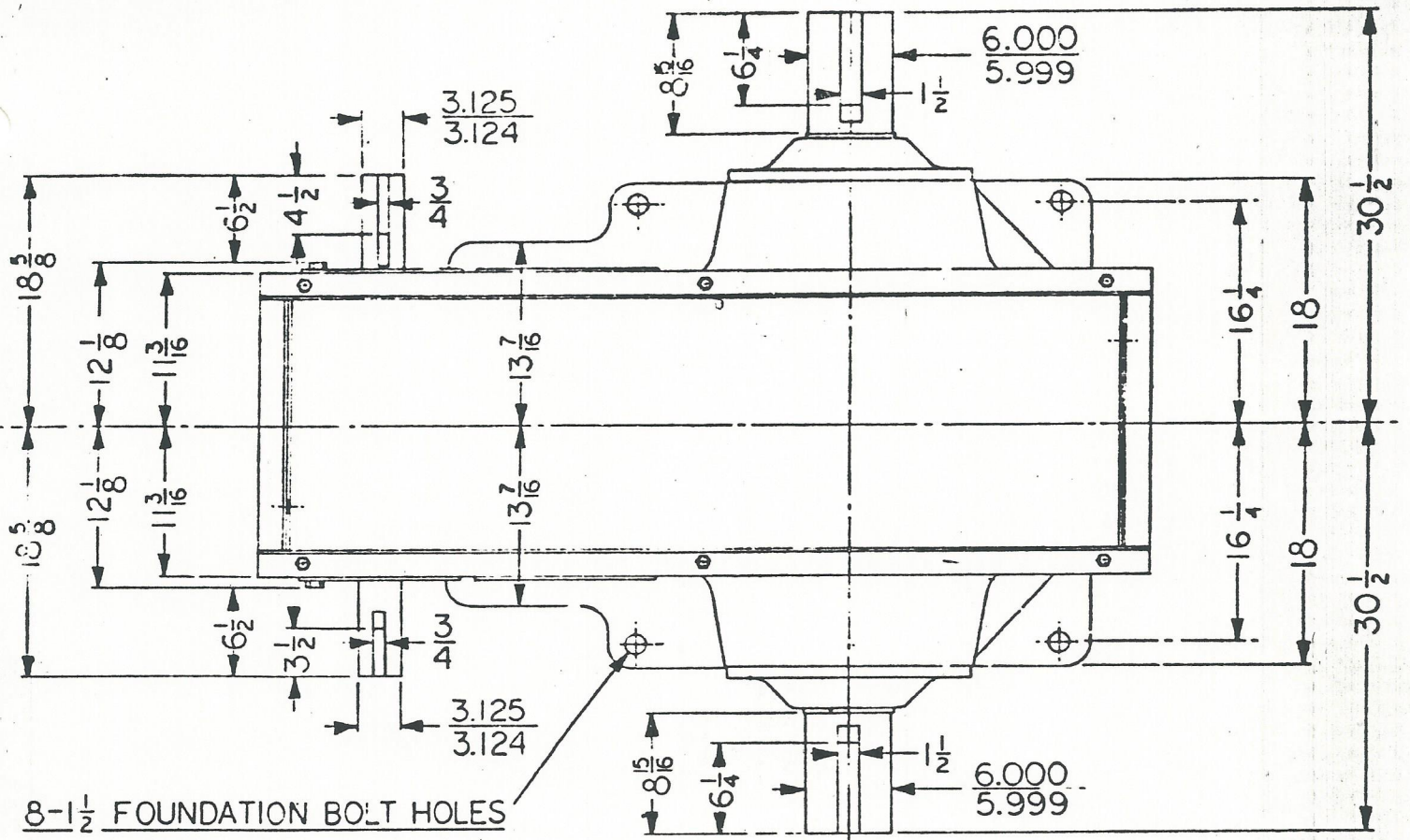
57G



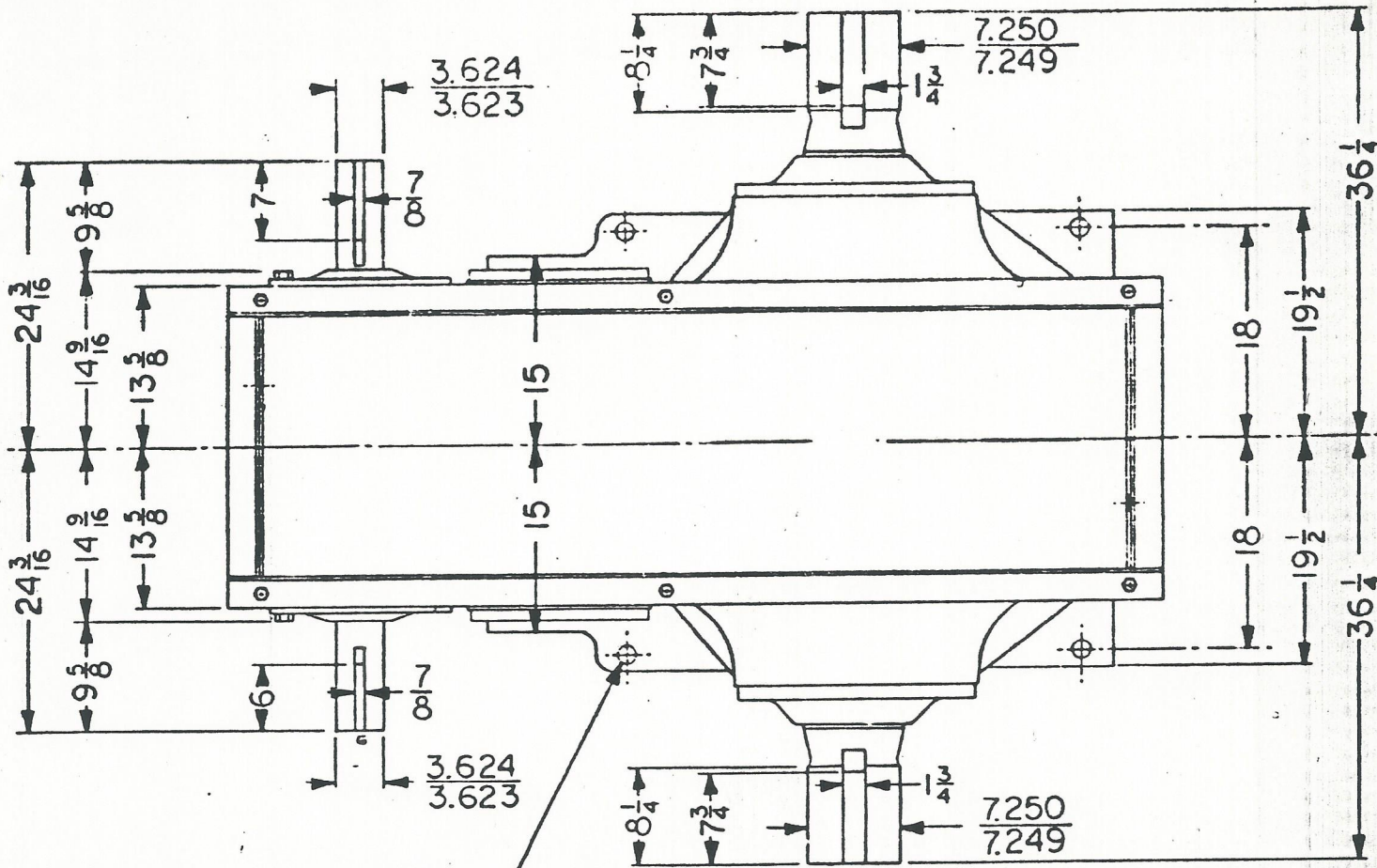
30G



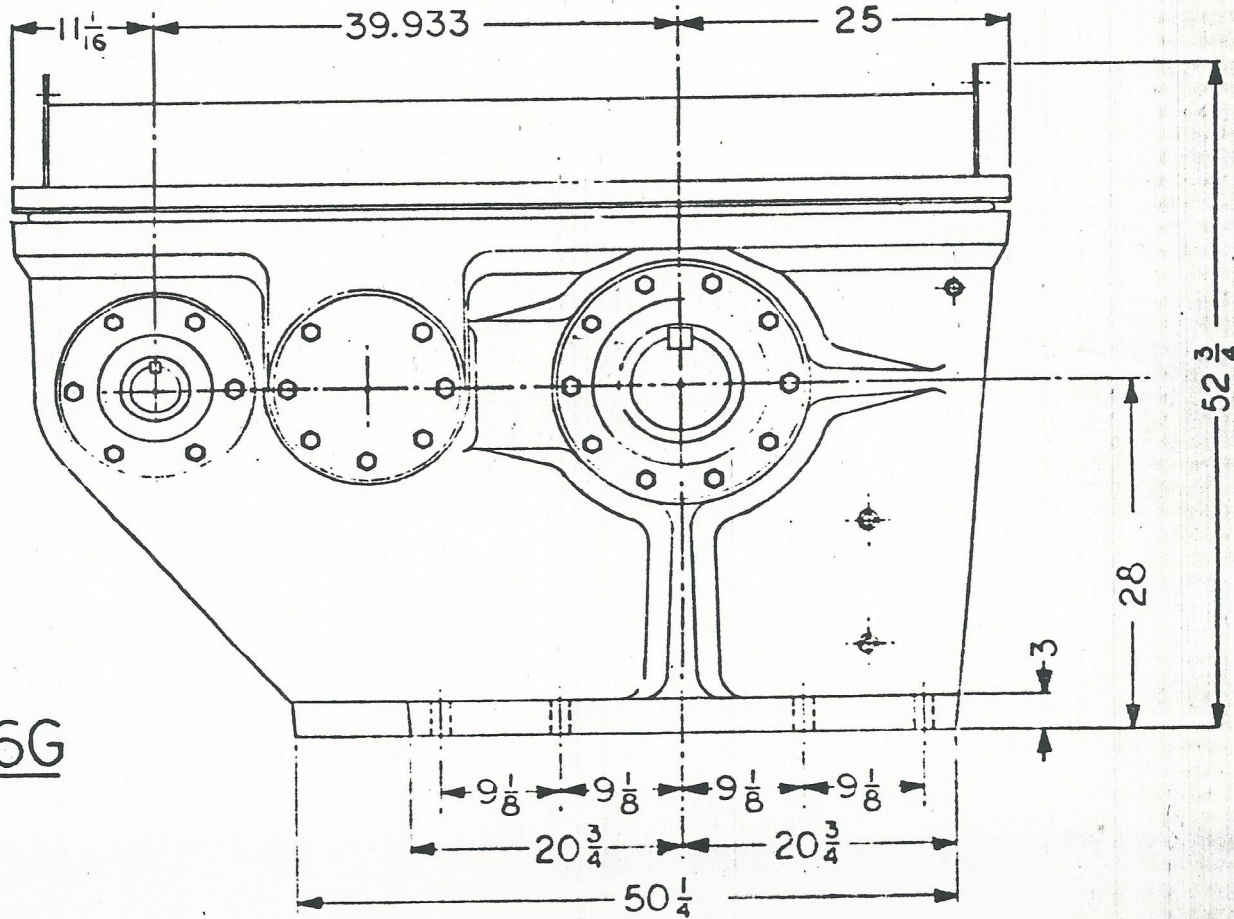
D160G



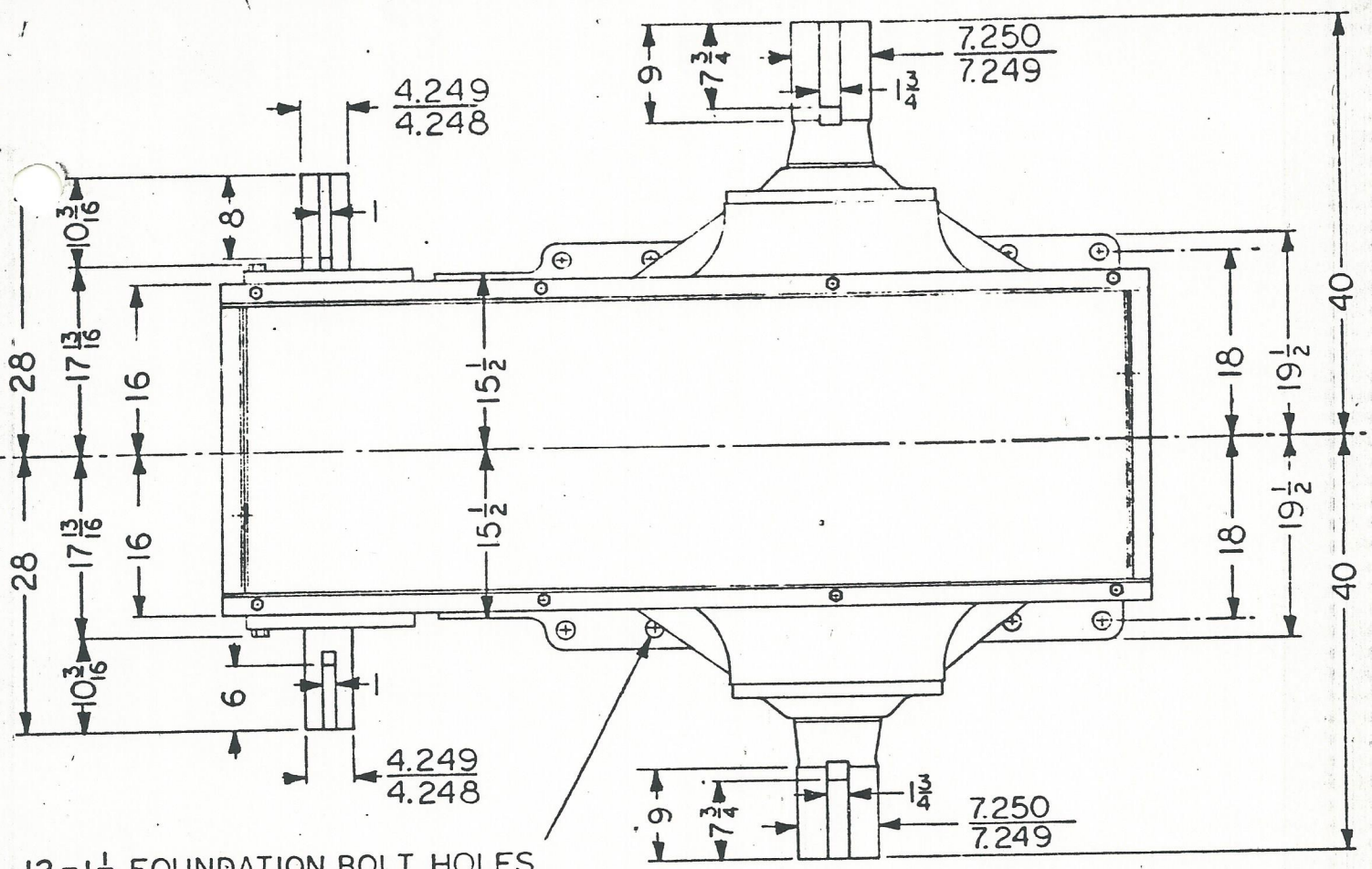
D228G



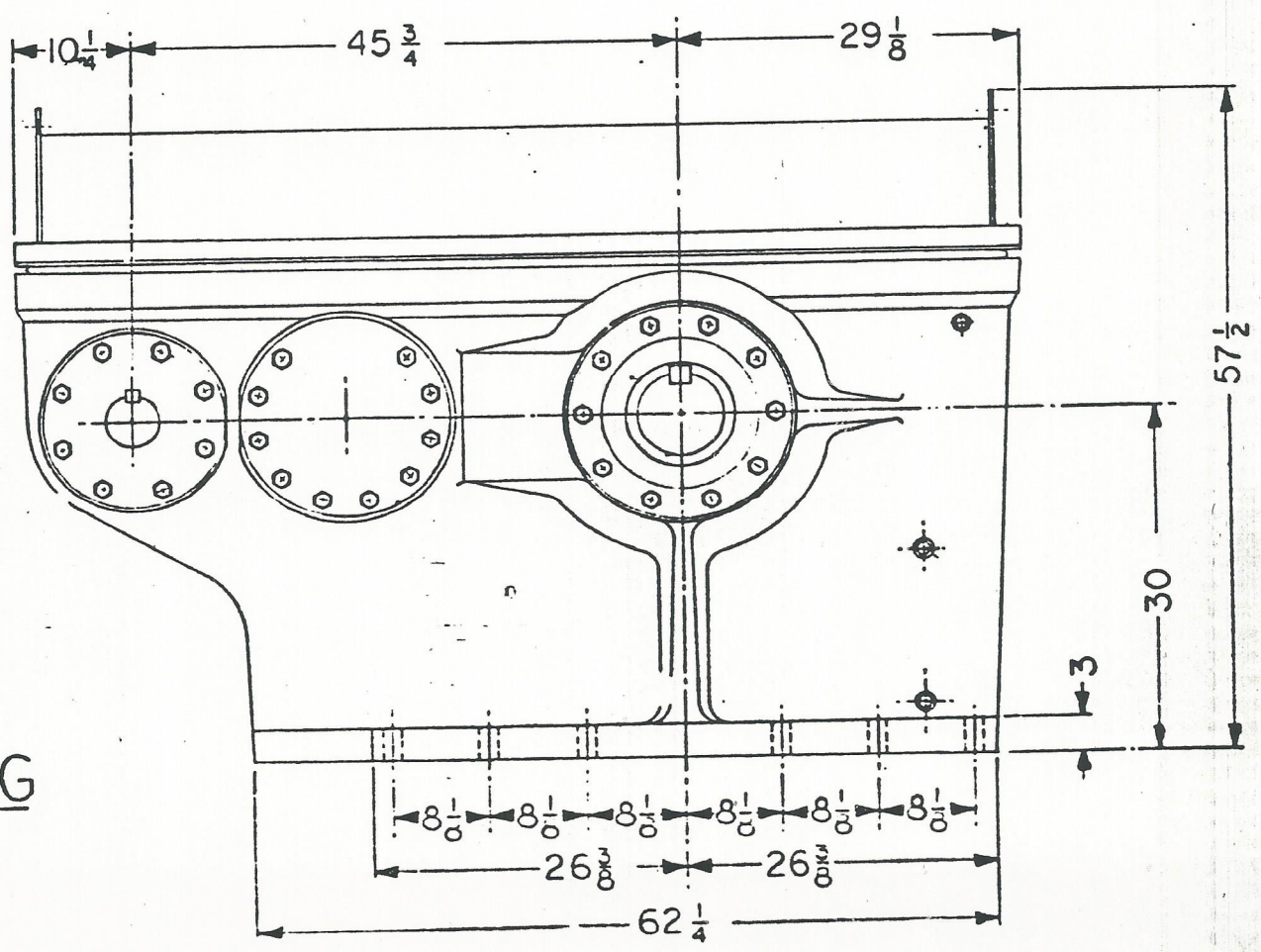
8- $1\frac{1}{2}$ FOUNDATION BOLT HOLES



D456G



12 - $1\frac{1}{2}$ FOUNDATION BOLT HOLES



2640G

